

# Driveshaft Order Form

☎ 847-663-1701  
 📠 847-663-1702

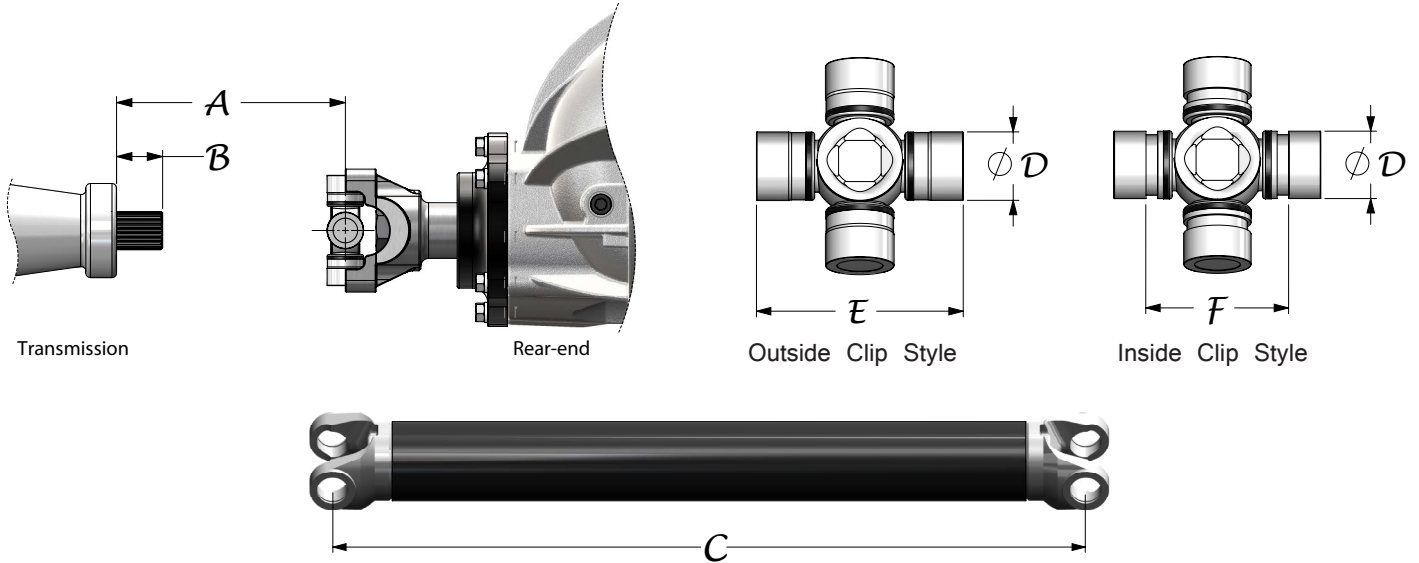


BILLING ADDRESS		
Name:		
Phone:		
Address		
City	State	Zip

SHIPPING ADDRESS		
Name:		
Phone:		
Address		
City	State	Zip

ORDER DETAILS	
Package #	
Transmission:	
Output Shaft Spline:	
<input type="checkbox"/> Bushing	<input type="checkbox"/> Roller bearing

## Measurement References



Ordering Driveshaft only (no trans. yoke)	
<b>D</b>	_____
<b>E</b> (Outside Clip Style)	_____
<b>F</b> (Inside Clip Style)	_____
<b>C</b>	_____

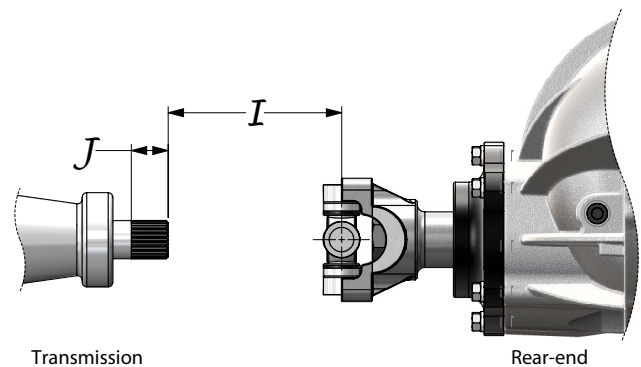
Ordering Driveshaft with Strange supplied trans. yoke	
<b>A</b>	_____
<b>B</b>	_____
<b>D</b>	_____
<b>E</b>	_____
<b>I</b> (LENCO Trans.)	_____
<b>J</b> (LENCO Trans.)	_____

## Conversion U-joints

## LENCO Trans. Measurement References

- All Strange driveshafts have 1350 series weld ends installed unless otherwise specified ( $D=1.1875$   $E=3.625$ )
- All conversion u-joints are "cross-drilled" style

Conversion U-joint	D	E
U1645*	1.125	3.625
U1646	1.0625	3.217
U1647	1.0625	3.625
U1648	1.125	3.625



\*U1645 uses inside clips  $F=2.645$

## Dimension Definitions

*A* Distance from the transmission face to the center of the u-joint when installed in the pinion yoke

*B* Distance from the transmission face to the end of the output shaft

*C* The distance between axle shaft weld yoke centers

*D* Diameter of the u-joint cap

Outside snap-ring style u-joints only

*E* Distance between the u-joint cap faces

Inside snap-ring style u-joints only

*F* Distance between the outer edges of the u-joint snap ring-grooves

LENCO Transmission only

*I* Distance between the transmission output shaft face and center of u-joint when installed in pinion yoke

LENCO Transmission only

*J* Distance of the spline length on the transmission output shaft